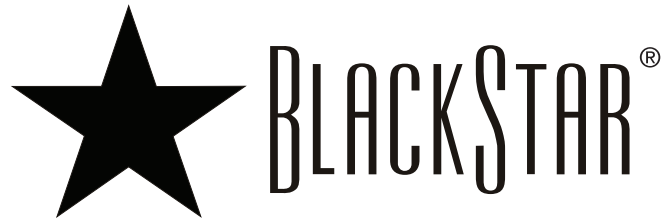
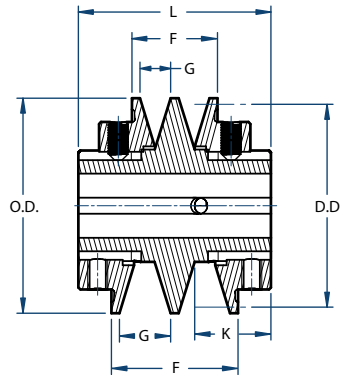


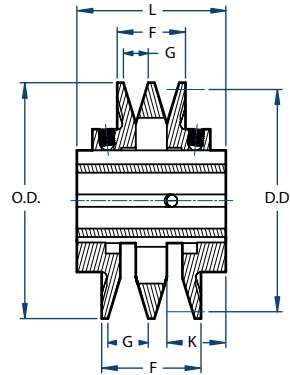
# Sheaves



## VARIABLE PITCH 2 GROOVE



Type 4



Type 5

| Part No. | Type | O.D. | F     |       | G      |       | L     | K      | Weight (lbs) |
|----------|------|------|-------|-------|--------|-------|-------|--------|--------------|
|          |      |      | Max.  | Min.  | Max.   | Min.  |       |        |              |
| 2VP36    | 4    | 3.35 | 2     | 1-3/8 | 13/16  | 1/2   | 3     | 1-3/16 | 3.4          |
| 2VP42    | 4    | 3.95 | 2-1/8 | 1-3/8 | 7/8    | 1/2   | 3     | 1-3/16 | 4.4          |
| 2VP52    | 5    | 4.75 | 2-1/8 | 1-3/8 | 7/8    | 1/2   | 3     | 1-3/16 | 6.3          |
| 2VP56    | 5    | 5.35 | 2-1/8 | 1-3/8 | 7/8    | 1/2   | 3     | 1-3/16 | 7.8          |
| 2VP60    | 5    | 6.00 | 2-3/8 | 1-5/8 | 1/32   | 21/32 | 3-1/4 | 1-1/4  | 10.6         |
| 2VP62    | 5    | 5.95 | 2-1/8 | 1-3/8 | 7/8    | 1/2   | 3     | 1-3/16 | 10.0         |
| 2VP65    | 5    | 6.50 | 2-3/8 | 1-5/8 | 1-1/32 | 21/32 | 3-1/4 | 1-1/4  | 12.3         |
| 2VP68    | 5    | 6.55 | 2-1/8 | 1-3/8 | 7/8    | 1/2   | 3     | 1-3/16 | 11.7         |
| 2VP71    | 5    | 7.10 | 2-3/8 | 1-5/8 | 1-1/32 | 21/32 | 3-1/4 | 1-1/4  | 14.6         |
| 2VP75    | 5    | 7.50 | 2-3/8 | 1-5/8 | 1-1/32 | 21/32 | 3-1/4 | 1-1/4  | 16.5         |

| Part No. | Type | Diameter Range |            |            |            |               |            |            |            | Stock Bores Marked (x) |     |     |     |   |       |       |       |       |
|----------|------|----------------|------------|------------|------------|---------------|------------|------------|------------|------------------------|-----|-----|-----|---|-------|-------|-------|-------|
|          |      | 3L Belts       |            |            |            | 4L or A Belts |            |            |            | 1/2                    | 5/8 | 3/4 | 7/8 | 1 | 1-1/8 | 1-1/4 | 1-3/8 | 1-5/8 |
|          |      | Min. Pitch     | Turns Open | Max. Pitch | Turns Open | Min. Pitch    | Turns Open | Max. Pitch | Turns Open |                        |     |     |     |   |       |       |       |       |
| 2VP36    | 4    | 1.9            | 4          | 2.7        | 0          | 2.0           | 5          | 3.0        | 0          | x                      | x   | x   | x   | x | —     | —     | —     | —     |
| 2VP42    | 4    | 2.5            | 4          | 3.3        | 0          | 2.6           | 5          | 3.6        | 0          | —                      | x   | x   | x   | x | x     | —     | —     | —     |
| 2VP52    | 5    | 3.3            | 4          | 4.1        | 0          | 3.4           | 5          | 4.4        | 0          | —                      | x   | x   | x   | x | x     | —     | —     | —     |
| 2VP56    | 5    | 3.9            | 4          | 4.7        | 0          | 4.0           | 5          | 5.0        | 0          | —                      | x   | x   | x   | x | x     | —     | —     | —     |
| 2VP60    | 5    | —              | —          | —          | —          | 4.2           | 5          | 5.2        | 0          | —                      | —   | x   | x   | — | x     | —     | x     | x     |
| 2VP62    | 5    | 4.5            | 4          | 5.3        | 0          | 4.6           | 5          | 5.6        | 0          | —                      | —   | x   | x   | x | x     | x     | x     | —     |
| 2VP65    | 5    | —              | —          | —          | —          | 4.7           | 5          | 5.7        | 0          | —                      | —   | x   | x   | — | x     | —     | x     | x     |
| 2VP68    | 5    | 5.1            | 4          | 5.9        | 0          | 5.2           | 5          | 6.2        | 0          | —                      | —   | —   | x   | x | x     | x     | x     | —     |
| 2VP71    | 5    | —              | —          | —          | —          | 5.3           | 5          | 6.3        | 0          | —                      | —   | x   | x   | — | x     | —     | x     | x     |
| 2VP75    | 5    | —              | —          | —          | —          | 5.7           | 5          | 6.7        | 0          | —                      | —   | x   | x   | — | x     | —     | x     | x     |